

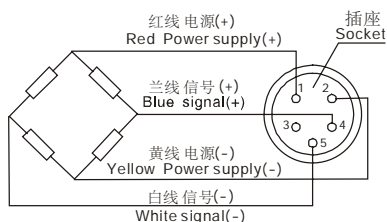
YT10 应变式压力传感器 PRESSURE TRANSDUCER

- ◆高精度、高可靠性。
- ◆密封结构、稳定性好。
- ◆体积小、重量轻、使用方便。
- ◆适用于精确测量各种静态或变化缓慢的不结晶液体和气体中、小量程压力测量。也可与数字压力表、记录仪配套使用。

- ◆High accuracy and high reliability
- ◆Airproofed structure and high stability
- ◆Small volume, light weight and very convenient to use
- ◆It's suitable for precision measuring all kinds of static states or the no-crystal liquid, gas and the high capacity pressure measurement that changes very slowly. It also can be used to match numeral pressure indicators or record instruments.



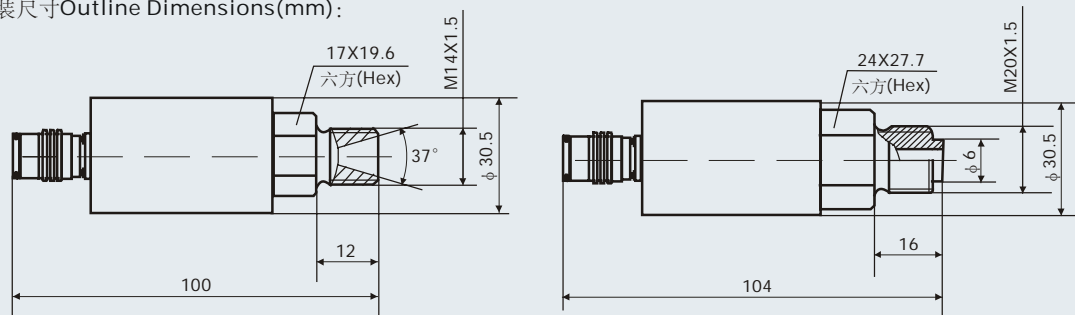
接线方式 Electrical Connection:



技术参数 Specifications

额定压力 Capacity	Mpa	0.6, 0.8, 1, 1.5, 2, 3, 4, 5, 6, 8, 10, 12, 15, 20		
输出灵敏度 Rated Output	mV/V	1.5±0.2		
非线性 Non-linearity	%FS	0.1	0.2	0.3
滞后 Hysteresis	%FS	0.1	0.2	0.3
重复性 Repeatability	%FS	0.1	0.2	0.3
零点输出温度影响 Temperature Effect on Zero	%FS/10C	0.1	0.2	0.3
输出额定温度影响 Temperature Effect on Span	%FS/10C	0.1	0.2	0.3
零点输出 Zero Balance	mV	≤ ±1		
输出阻抗 Output Resistance	Ω(ohms)	350±3		
绝缘阻抗 Insulation Resistance	MΩ	1000(100VDC)		
推荐激励电压 Excitation, Recommended	V	9-12(DC/AC)		
允许激励电压 Excitation Permitted	V	6-18(DC/AC)		
温度补偿范围 Temperature Compensated	C	-10-+50		
工作温度范围 Temperature Operating	C	-20-+65		
安全过负荷 Safe Overload	%FS	120		
极限过负荷 Ultimate Overload	%FS	150		

外形安装尺寸Outline Dimensions(mm):



- 注: ◆安装用平端密封接管嘴M14×1.5螺纹, 内锥37° (用户需要其它螺纹尺寸的接管嘴, 请与厂家协商订购)。
- ◆接触介质的材料: 钛合金。
 - ◆压力传感器通过插头座与二次仪表连接。

- Note: ◆When installing please use the flat end airproofed connector with the screw thread of M14*1.5, inside wimble is 37° (If the customers need the connector with other screw thread, please give the special order to the company)
- ◆The medium material that meets: Titanium—alloy
 - ◆The pressure transducers are connected with indicator through sockets.